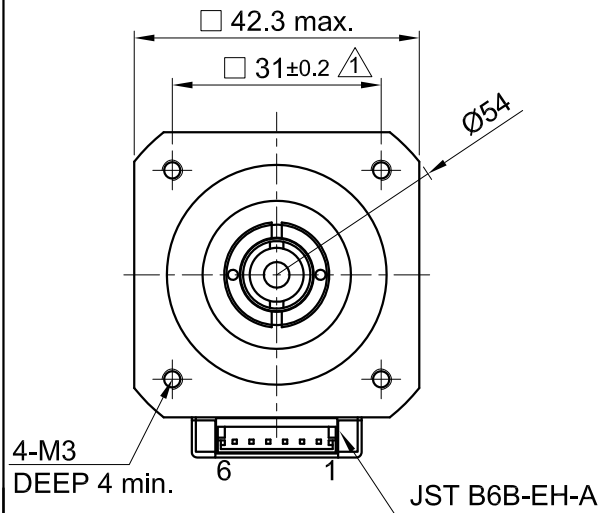
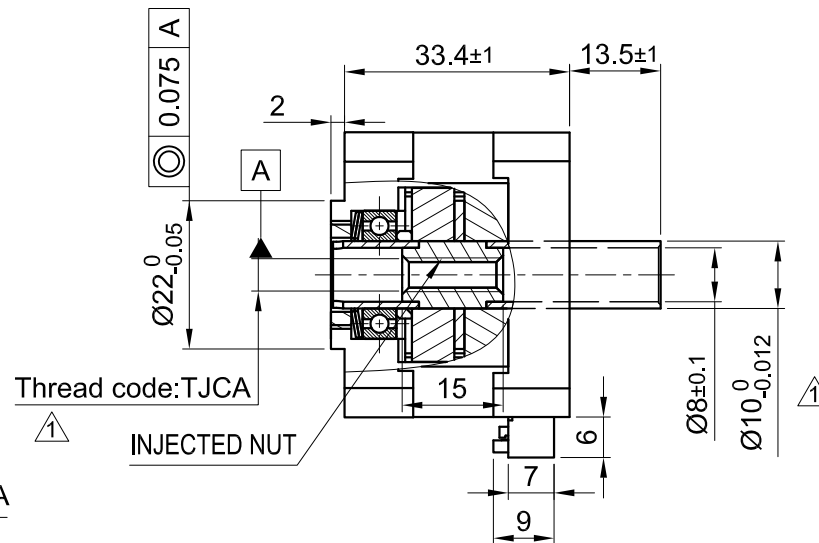


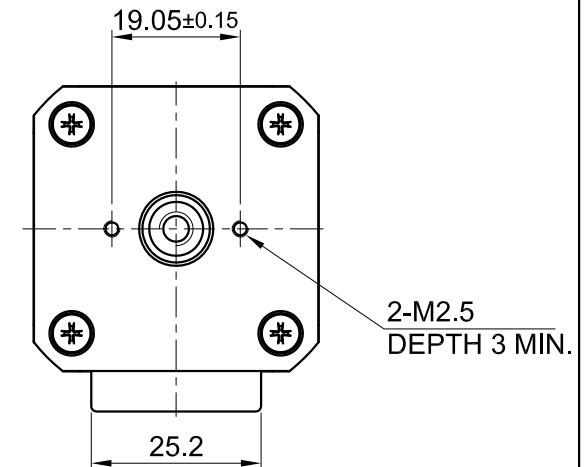
Front view and mounting



Side view



Rear view



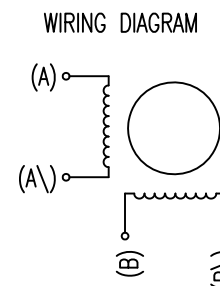
| SPECIFICATION | CONNECTION | BIPOLAR |
|--|------------|------------|
| AMPS/PHASE | | 1.4 |
| RESISTANCE/PHASE (Ohms)@25°C | | 2.0±15% |
| INDUCTANCE/PHASE (mH) @1KHz | | 2.8±20% |
| THREAD DIAMETER (mm) [in] | | 6 [0.236] |
| THREAD LEAD(mm) [in] | | 2 [0.079] |
| THRUST (N) | | 250 |
| RESOLUTION (mm/STEP) | | 0.01 |
| MAX. SPEED (mm/sec.) AT 24V | | 55 |
| WEIGHT (Kg) [lb] | | 0.2 [0.44] |
| TEMPERATURE RISE: MAX.80°C (MOTOR STANDSTILL; FOR 2 PHASE ENERGIZED) | | |
| AMBIENT TEMPERATURE -10~ 50°C [14°F ~ 122°F] | | |
| INSULATION RESISTANCE 100 MOhm (UNDER NORMAL TEMPERATURE AND HUMIDITY) | | |
| INSULATION CLASS B 130° [266°F] | | |
| DIELECTRIC STRENGTH 500VAC FOR 1 MIN. (BETWEEN THE MOTOR COILS AND THE MOTOR CASE) | | |
| AMBIENT HUMIDITY MAX. 85% (NO CONDENSATION) | | |

Please regard the application note at www.nanotec.com for further informations.

| MOTOR | |
|-------------------|---------|
| CONNECTOR PIN NO. | WINDING |
| 1 (NC) | |
| 2 | A |
| 3 | A\ |
| 4 | B |
| 5 | B\ |
| 6 (NC) | |

FULL STEP 2 PHASE-Ex.,
WHEN FACING MOUNTING END (X)

| STEP | A | B | A\ | B\ | | CCW |
|------|---|---|----|----|---|-----|
| 1 | + | + | - | - | ↓ | ↑ |
| 2 | - | + | + | - | | |
| 3 | - | - | + | + | ↑ | ↓ |
| 4 | + | - | - | + | | |



| | | | | Nanotec® PLUG & DRIVE | | | APVD | A.N. | 21.01.17 | LINEAR ACTUATOR |
|-----|-----------------------|----------|-----|---------------------------------------|---------------------------------------|----------------------------------|-----------|------|----------|------------------------|
| 1 | Adjust the parameters | 13.03.19 | X T | Surface specification DIN ISO 1302 | General tolerances DIN ISO 2768-cH | Work piece edge DIN ISO 13715 | CHKD | L B | 21.01.17 | |
| A | - | 28.08.17 | L W | | | | DRN | GYQ | 21.01.17 | DWG.NO |
| REV | DESCRIPTION | DATE | DRN | | | | SIGNATURE | DATE | | LA421S14-B-TJCA |